

## Type DN-5 Corrosion Resistant Duct Nozzle, Open Medium Velocity

### IMPORTANT

Refer to Technical Data Sheet TFP2300 for warnings pertaining to regulatory and health information.

Always refer to Technical Data Sheet TFP700 for the "INSTALLER WARNING" that provides cautions with respect to handling and installation of sprinkler systems and components. Improper handling and installation can permanently damage a sprinkler system or its components and cause the sprinkler to fail to operate in a fire situation or cause it to operate prematurely.

Scan the QR code or enter the URL in a web browser to access the most up-to-date electronic version of this document. Data rates may apply.



[docs.jci.com/tycofire/tfp808](https://docs.jci.com/tycofire/tfp808)

## General Description

The TYCO Type DN-5 Corrosion Resistant Duct Nozzle is an open (non-automatic) directional spray nozzle designed for use in water spray fixed systems for fire protection applications in extremely corrosive duct environments. It is an external deflector type nozzle that discharges medium velocity water droplets.

The Type DN-5 Corrosion Resistant Duct Nozzle is effective in discharging water to vertical, horizontal, curved, and irregular shaped surfaces within a duct to achieve fire suppression and potential extinguishment.

The Type DN-5 Corrosion Resistant Duct Nozzle is equipped with a snug fitting blow-off plug which protects the system piping from intrusion of corrosive gases as well as the accumulation of debris within the nozzle orifice.

### NOTICE

The TYCO Type DN-5 Corrosion Resistant Duct Nozzle described herein must be installed and maintained in compliance with this document, FM Global Property Loss Prevention Data Sheets, the applicable standards of the NATIONAL FIRE PROTECTION ASSOCIATION (NFPA), in addition to the standards of any other authorities having jurisdiction. Failure to do so may impair the performance of this device. The owner is responsible for maintaining their fire protection system and devices in proper operating condition. The installing contractor or nozzle manufacturer should be contacted with any questions.

In all cases, the appropriate FM Global Property Loss Prevention Data Sheets, NFPA standards, or other applicable standards, must be referenced to ensure applicability and to obtain complete installation guidelines. The general guidelines in this data sheet are not intended to provide complete installation criteria.



## Technical Data

### Approvals

FM Approved  
EAC Approved

### Pipe Thread Connections

1/2 in. NPT

### Discharge Coefficient

$K = 6.0 \text{ gpm/psi}^{1/2} (86,5 \text{ lpm/bar}^{1/2})$

### Minimum Operating Pressure

15 psi (1,0 bar)

### Maximum Continuous Operating Temperature

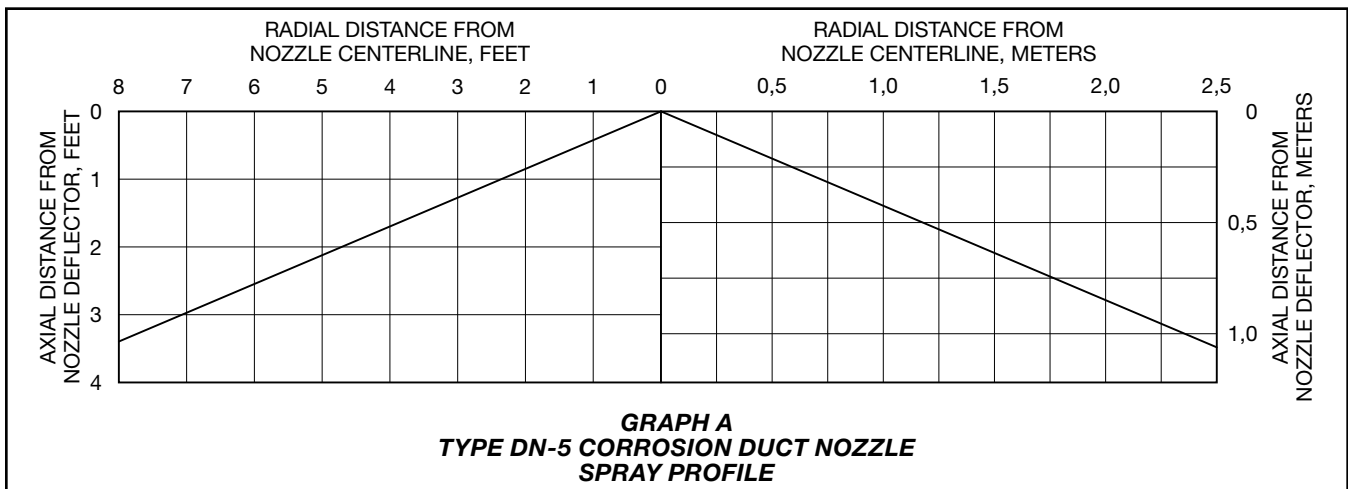
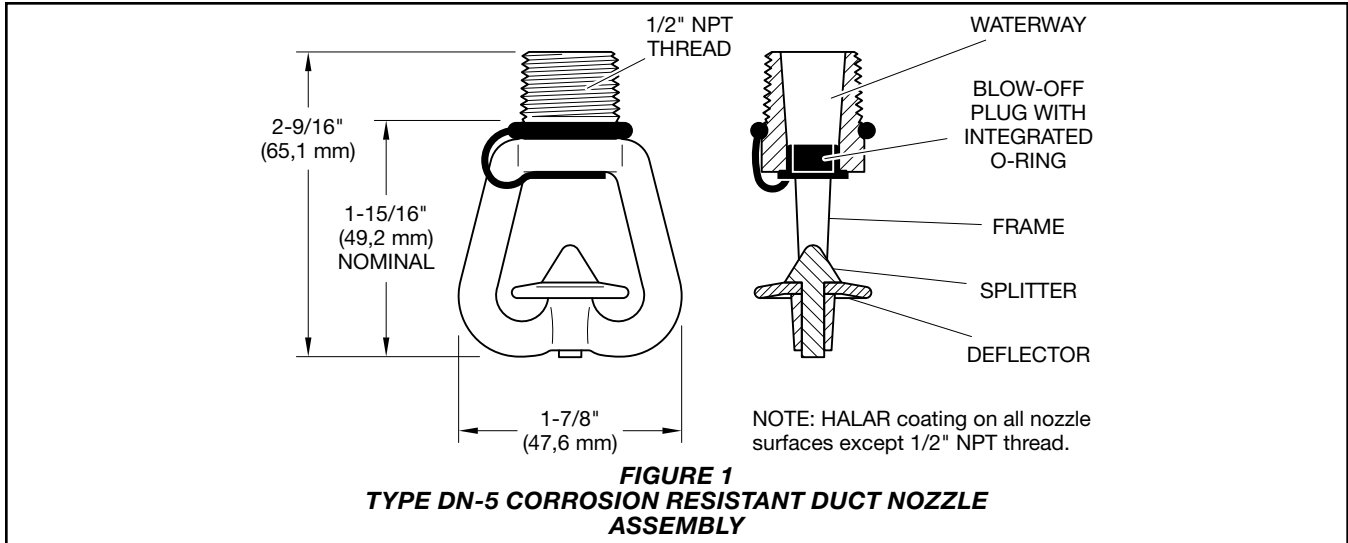
150 °C (302 °F)

### Coating

HALAR (ECTFE)

### Physical Characteristics

Frame	Stainless Steel
Deflector	Stainless Steel
Splitter	Stainless Steel
Blow-Off Plug	TECONFLON Fluoroelastomer



## Design Criteria

Obtain guidance for use of the TYCO Type DN-5 Corrosion Resistant Duct Nozzle in a deluge system protecting ventilation ductwork handling corrosive gases from the Technical Services Department.

## Care and Maintenance

The Tyco Type DN-5 Corrosion Resistant Duct Nozzle must be maintained and serviced in accordance with this section.

The Type DN-5 Nozzles must never be painted, plated, coated or altered in any way after leaving the factory; otherwise, the effectiveness may be impaired.

Care must be exercised to avoid damage to the nozzles before, during, and after installation. Type DN-5 Nozzles damaged by dropping, striking, or the like, must be replaced.

The owner is responsible for the inspection, testing, and maintenance of their fire protection system and devices in compliance with this document, FM Global Property Loss Prevention Data Sheets, the applicable standards of the NATIONAL FIRE PROTECTION ASSOCIATION, in addition to the standards of any other authorities having jurisdiction. The installing contractor or nozzle manufacturer should be contacted with any questions.

## Limited Warranty

For warranty terms and conditions, visit [www.tyco-fire.com](http://www.tyco-fire.com).

## Ordering Procedure

Contact Johnson Controls Customer Service for availability.



## **TFP808**

### **Change History Appendix**

ISSUE DATE	NOTES
08-22	Page 1, updated QR code and URL; Page 2, changed corporate address and telephone number to 1467 Elmwood Avenue, Cranston, RI 02910   Telephone +1-401-781-8220, formerly 1400 Pennbrook Parkway, Lansdale, PA 19446   Telephone +1-215-362-0700.
04-22	Page 1, added QR code and URL to allow convenient access to electronic version from printed document; Page 1, Approvals sub-section, added EAC Approved.
08-18	Updated Tyco® branding and document format; Added Johnson Controls copyright; Added disclaimer stating specifications and information subject to change without notice; Added reference to Regulatory and Health Warning Technical Data Sheet TFP2300.
04-16	Changed Minimum Operating Pressure to 15 psi (1,0 bar), formerly shown as 5 psi (0,3 bar).
03-16	Changed Discharge Coefficient to K=6.0 (K86,5), formerly shown as K=5.0 (K72); Added Minimum Operating Pressure 5 psi (0,3 bar), formerly shown in DDS Duct Deluge System data sheet TFP870 as 15 psi (1,0 bar); Added Spray Profile Graph A.
02-14	Added Maximum Continuous Operating Temperature 150°C (302°F).
12-13	New Technical Data Sheet TFP808 describes Model DN-5 Medium Velocity Corrosion Resistant Duct Nozzle.